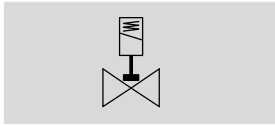


# Solenoid valves VZWD, directly actuated

Technical data – Brass housing, nominal pressure PN 100

Function



- - Flow rate Kv  
0.06 ... 0.4 m<sup>3</sup>/h

Nominal size (DN)  
1.0 ... 6.0 mm

- - Connecting thread  
G<sup>1</sup>/<sub>4</sub>, G<sup>1</sup>/<sub>8</sub>



General technical data		1.0	1.5	2.0	2.5	3.0	4.0	5.0	6.0
Nominal size (DN)									
Valve function	2/2-way, single solenoid, closed								
Design	Directly actuated poppet valve								
Type of mounting	In-line installation								
Actuation type	Electric								
Reset method	Mechanical spring								
Direction of flow	Non-reversible								
Type of control	Direct								
Manual override	None								
Mounting position	Any								
Sealing principle	Soft								
Max. viscosity	[mm <sup>2</sup> /s]	22							
Protection class	IP65								

Operating and environmental conditions		1.0	1.5	2.0	2.5	3.0	4.0	5.0	6.0
Nominal size (DN)									
Standard nominal flow rate	[l/min]	60	95	140	170	210	310	375	430
Flow rate Kv	[m <sup>3</sup> /h]	0.06	0.09	0.13	0.16	0.2	0.3	0.35	0.4
Process valve nominal pressure (PN)		100							
Pressure differential	[bar]	0							
Medium		Compressed air in accordance with ISO 8573-1:2010 [7:4:4]							
		Inert gases							
		Mineral oil							
		Neutral liquids							
		Water							
		Further media upon request							
Ambient temperature	[°C]	-10 ... +35 °C							
Temperature of medium	[°C]	-10 ... +80 °C							
Leak rate to EN 12266-1		A							
Corrosion resistance class CRC <sup>1)</sup>		1							

1) Corrosion resistance class CRC 1 to Festo standard FN 940070  
Low corrosion stress. For dry indoor applications or transport and storage protection. Also applies to parts behind covers, in the non-visible interior area, and parts which are covered in the application (e.g. drive trunnions).

## Solenoid valves VZWD, directly actuated

FESTO

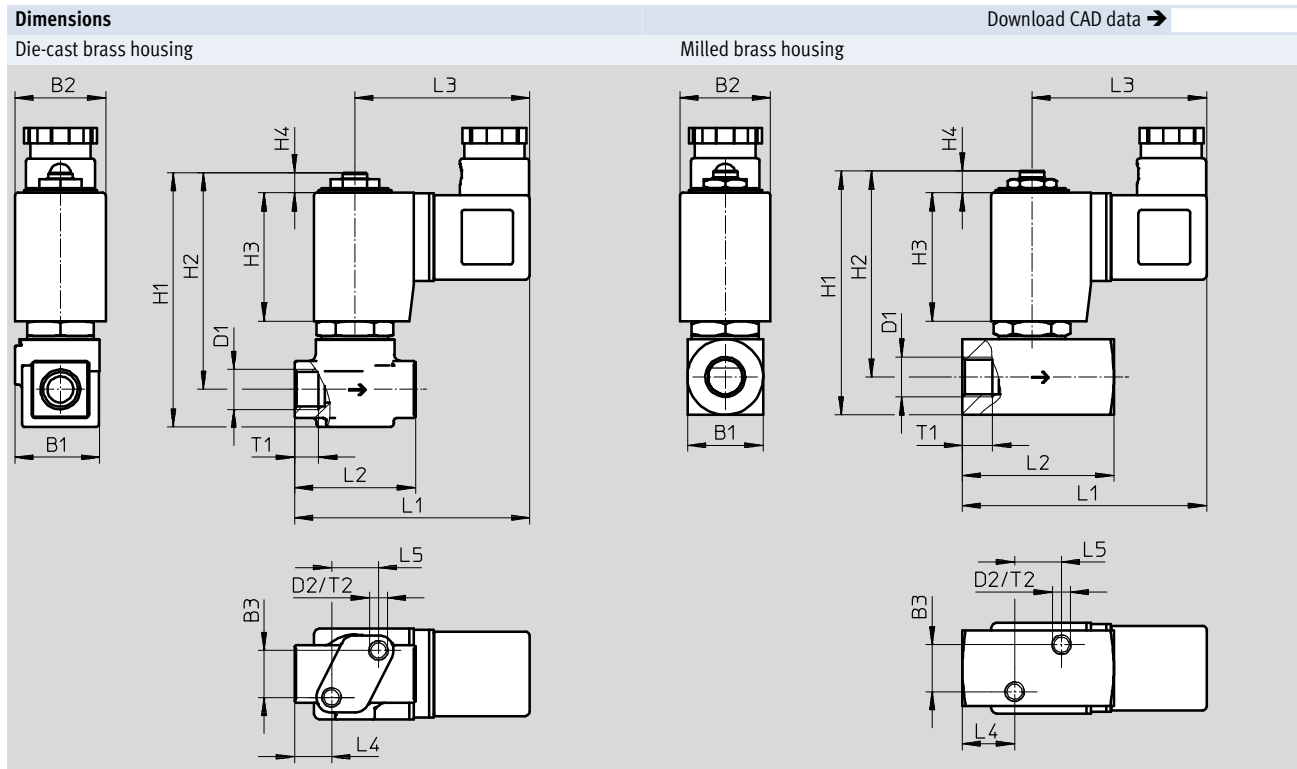
Technical data – Brass housing, nominal pressure PN 100

Electrical data			
Operating voltage		24 V DC	110 V AC 230 V AC
Electrical connection	Plug to EN 175301-803 type A, square design		
CE marking		–	73/23/EEC 73/23/EEC
Insulation class		H	F F
Duty cycle	[%]	100	
Permissible voltage fluctuations	[%]	±10	
Switching time on	[ms]	20	
Switching time off	[ms]	18	
Coil characteristics			
Direct current DC	[V]	24	– –
Alternating current AC	[V]	–	110 230
Power consumption	[W]	11	– –
Switching power	[VA]	–	19 18
Holding power	[VA]	–	16 15
	[Hz]	–	50, 60 50, 60

Materials		
Solenoid valves		Material number
Housing	High-alloy stainless steel	1.4305
	Brass	CW614N
Seals	FPM	
Note on materials	Contains PWIS (paint-wetting impairment substances)	
	RoHS-compliant	

# Solenoid valves VZWD, directly actuated

Technical data – Brass housing, nominal pressure PN 100



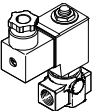
Type	B1	B2	B3	D1	D2	H1	H2	H3	H4	L1	L2	L3	L4	L5	T1	T2
VZWD-...-G $\frac{1}{8}$ -10-...-90	28	30	15.5	G $\frac{1}{8}$	M6	84	72	42.5	6.5	78	40	58	12	15.5	8	6
VZWD-...-G $\frac{1}{8}$ -15-...-85																
VZWD-...-G $\frac{1}{8}$ -20-...-40																
VZWD-...-G $\frac{1}{8}$ -25-...-22																
VZWD-...-G $\frac{1}{8}$ -30-...-15																
VZWD-...-G $\frac{1}{8}$ -40-...-8																
VZWD-...-G $\frac{1}{4}$ -10-...-90	28	30	15.5	G $\frac{1}{4}$	M6	84	72	42.5	6.5	78	40	58	12	15.5	10	6
VZWD-...-G $\frac{1}{4}$ -15-...-85																
VZWD-...-G $\frac{1}{4}$ -20-...-40																
VZWD-...-G $\frac{1}{4}$ -25-...-22																
VZWD-...-G $\frac{1}{4}$ -30-...-15																
VZWD-...-G $\frac{1}{4}$ -40-...-8																
VZWD-...-G $\frac{1}{8}$ -50-...-5	25	30	15.5	G $\frac{1}{8}$	M6	81	68	42.5	7	78	40	58	12	15.5	8	6
VZWD-...-G $\frac{1}{8}$ -60-...-4																
VZWD-...-G $\frac{1}{4}$ -50-...-5	25	30	15.5	G $\frac{1}{4}$	M6	81	68	42.5	7	85	50	58	17	15.5	10	6
VZWD-...-G $\frac{1}{4}$ -60-...-4																

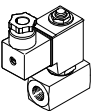
# Solenoid valves VZWD, directly actuated


FESTO


Technical data – Brass housing, nominal pressure PN 100

## ★ Core product range

Ordering data							
	Process valve connection	Nominal size DN	Medium pressure <sup>1)</sup> [bar]	Product weight [g]	Operating voltage	Brass housing	
						Part No.	Type
	G $\frac{1}{4}$	3	0 ... 15	550	24 V DC	★ 1491844	VZWD-L-M22C-M-G14-30-V-1P4-15
		4	0 ... 8	550	24 V DC	★ 1491845	VZWD-L-M22C-M-G14-40-V-1P4-8

Ordering data							
	Process valve connection	Nominal size DN	Medium pressure <sup>1)</sup> [bar]	Product weight [g]	Operating voltage	Brass housing	
						Part No.	Type
	G $\frac{1}{4}$	6	0 ... 4	600	24 V DC	★ 1491847	VZWD-L-M22C-M-G14-60-V-1P4-4

Ordering data							
	Process valve connection	Nominal size DN	Medium pressure <sup>1)</sup> [bar]	Product weight [g]	Operating voltage	Brass housing	
						Part No.	Type
	G $\frac{1}{8}$	3	0 ... 15	550	24 V DC	★ 1491836	VZWD-L-M22C-M-G18-30-V-1P4-15
		4	0 ... 8	550	24 V DC	★ 1491837	VZWD-L-M22C-M-G18-40-V-1P4-8

Ordering data							
	Process valve connection	Nominal size DN	Medium pressure <sup>1)</sup> [bar]	Product weight [g]	Operating voltage	Brass housing	
						Part No.	Type
	G $\frac{1}{4}$	1	0 ... 90	550	24 V DC	1491840	VZWD-L-M22C-M-G14-10-V-1P4-90
					110 V AC	1491918	VZWD-L-M22C-M-G14-10-V-2AP4-90
					230 V AC	1491996	VZWD-L-M22C-M-G14-10-V-3AP4-90
		1.5	0 ... 85	550	24 V DC	1491841	VZWD-L-M22C-M-G14-15-V-1P4-85
					110 V AC	1491919	VZWD-L-M22C-M-G14-15-V-2AP4-85
					230 V AC	1491997	VZWD-L-M22C-M-G14-15-V-3AP4-85
		2	0 ... 40	550	24 V DC	1491842	VZWD-L-M22C-M-G14-20-V-1P4-40
					110 V AC	1491920	VZWD-L-M22C-M-G14-20-V-2AP4-40
					230 V AC	1491998	VZWD-L-M22C-M-G14-20-V-3AP4-40
		2.5	0 ... 22	550	24 V DC	1491843	VZWD-L-M22C-M-G14-25-V-1P4-22
					110 V AC	1491921	VZWD-L-M22C-M-G14-25-V-2AP4-22
					230 V AC	1491999	VZWD-L-M22C-M-G14-25-V-3AP4-22
		3	0 ... 15	550	110 V AC	1491922	VZWD-L-M22C-M-G14-30-V-2AP4-15
					230 V AC	1492000	VZWD-L-M22C-M-G14-30-V-3AP4-15
		4	0 ... 8	550	110 V AC	1491923	VZWD-L-M22C-M-G14-40-V-2AP4-8
					230 V AC	1492001	VZWD-L-M22C-M-G14-40-V-3AP4-8

1) The valves are suitable for vacuum with Pabs > 100 mbar. Please ensure the direction of flow corresponds to the direction of the arrow.

Festo core product range      ★ Ready for dispatch from the Festo factory in 24 hours  
 ☆ Ready for dispatch in 5 days maximum from stock



# Solenoid valves VZWD, directly actuated

Technical data – Brass housing, nominal pressure PN 100

Ordering data							
	Process valve connection	Nominal size DN	Medium pressure <sup>1)</sup> [bar]	Product weight [g]	Operating voltage	Brass housing	
						Part No.	Type
	G $\frac{1}{4}$	5	0 ... 5	600	24 V DC	1491846	VZWD-L-M22C-M-G14-50-V-1P4-5
					110 V AC	1491924	VZWD-L-M22C-M-G14-50-V-2AP4-5
					230 V AC	1492002	VZWD-L-M22C-M-G14-50-V-3AP4-5
		6	0 ... 4	600	110 V AC	1491925	VZWD-L-M22C-M-G14-60-V-2AP4-4
					230 V AC	1492003	VZWD-L-M22C-M-G14-60-V-3AP4-4

Ordering data							
	Process valve connection	Nominal size DN	Medium pressure <sup>1)</sup> [bar]	Product weight [g]	Operating voltage	Brass housing	
						Part No.	Type
	G $\frac{1}{8}$	1	0 ... 90	550	24 V DC	1491832	VZWD-L-M22C-M-G18-10-V-1P4-90
					110 V AC	1491910	VZWD-L-M22C-M-G18-10-V-2AP4-90
					230 V AC	1491988	VZWD-L-M22C-M-G18-10-V-3AP4-90
		1.5	0 ... 85	550	24 V DC	1491833	VZWD-L-M22C-M-G18-15-V-1P4-85
					110 V AC	1491911	VZWD-L-M22C-M-G18-15-V-2AP4-85
					230 V AC	1491989	VZWD-L-M22C-M-G18-15-V-3AP4-85
		2	0 ... 40	550	24 V DC	1491834	VZWD-L-M22C-M-G18-20-V-1P4-40
					110 V AC	1491912	VZWD-L-M22C-M-G18-20-V-2AP4-40
					230 V AC	1491990	VZWD-L-M22C-M-G18-20-V-3AP4-40
		2.5	0 ... 22	550	24 V DC	1491835	VZWD-L-M22C-M-G18-25-V-1P4-22
					110 V AC	1491913	VZWD-L-M22C-M-G18-25-V-2AP4-22
					230 V AC	1491991	VZWD-L-M22C-M-G18-25-V-3AP4-22
		3	0 ... 15	550	110 V AC	1491914	VZWD-L-M22C-M-G18-30-V-2AP4-15
					230 V AC	1491992	VZWD-L-M22C-M-G18-30-V-3AP4-15
		4	0 ... 8	550	110 V AC	1491915	VZWD-L-M22C-M-G18-40-V-2AP4-8
					230 V AC	1491993	VZWD-L-M22C-M-G18-40-V-3AP4-8

Ordering data							
	Process valve connection	Nominal size DN	Medium pressure <sup>1)</sup> [bar]	Product weight [g]	Operating voltage	Brass housing	
						Part No.	Type
	G $\frac{1}{8}$	5	0 ... 5	600	24 V DC	1491838	VZWD-L-M22C-M-G18-50-V-1P4-5
					110 V AC	1491916	VZWD-L-M22C-M-G18-50-V-2AP4-5
					230 V AC	1491994	VZWD-L-M22C-M-G18-50-V-3AP4-5
		6	0 ... 4	600	24 V DC	1491839	VZWD-L-M22C-M-G18-60-V-1P4-4
					110 V AC	1491917	VZWD-L-M22C-M-G18-60-V-2AP4-4
					230 V AC	1491995	VZWD-L-M22C-M-G18-60-V-3AP4-4

1) The valves are suitable for vacuum with Pabs > 100 mbar. Please ensure the direction of flow corresponds to the direction of the arrow.